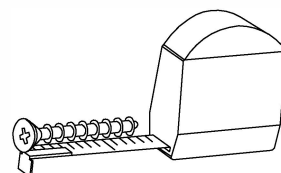






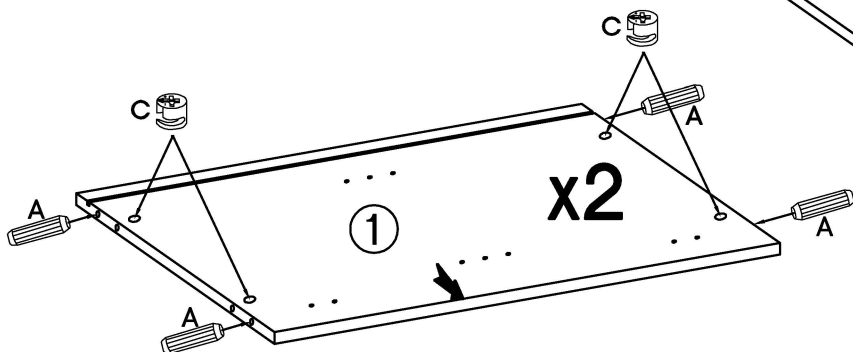
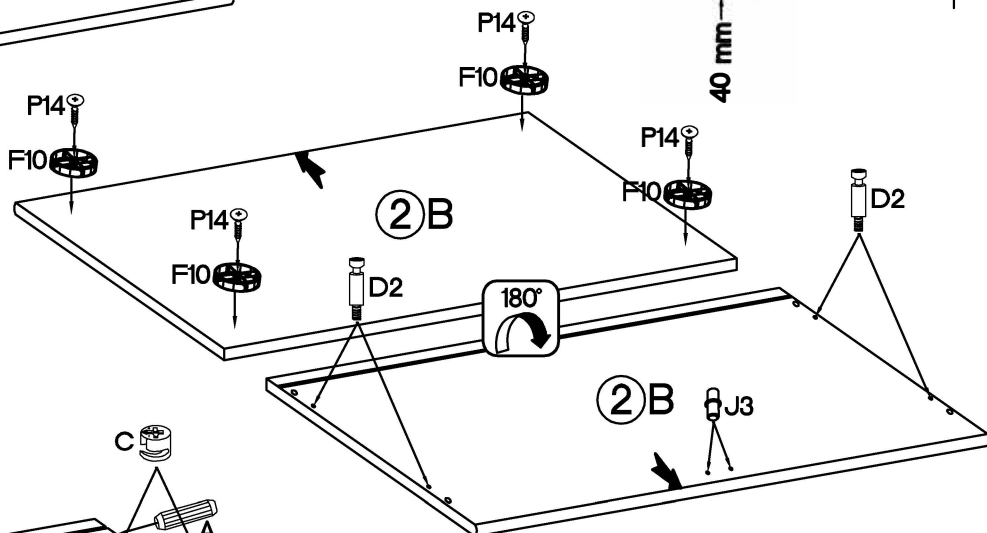
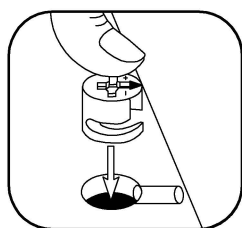
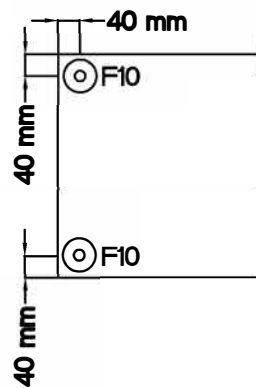
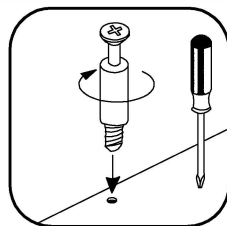
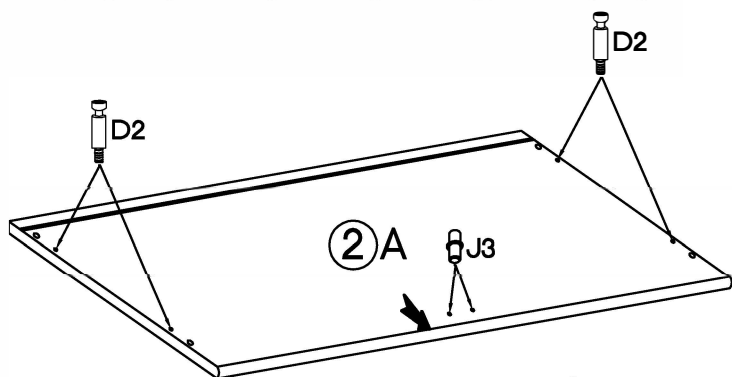


L-698mm L1 1	L-64 mm S13 2	∅3.5x13mm P5 9	∅4.0x25mm P14 4	 F10 4	 J3 8	∅10x50mm O7 1	 L9 1
∅4.0x30mm R2 4	 H 4	∅35/0mm G 4	∅6x30mm A 8	L-20mm D2 8	∅5/12mm C 8	 E 8	 L 8

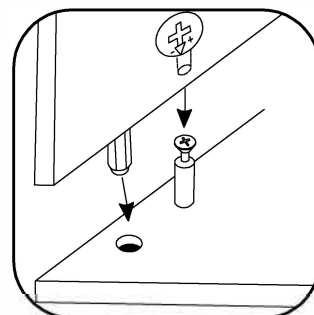
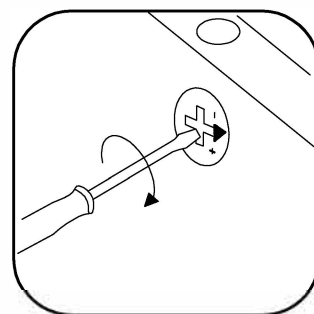
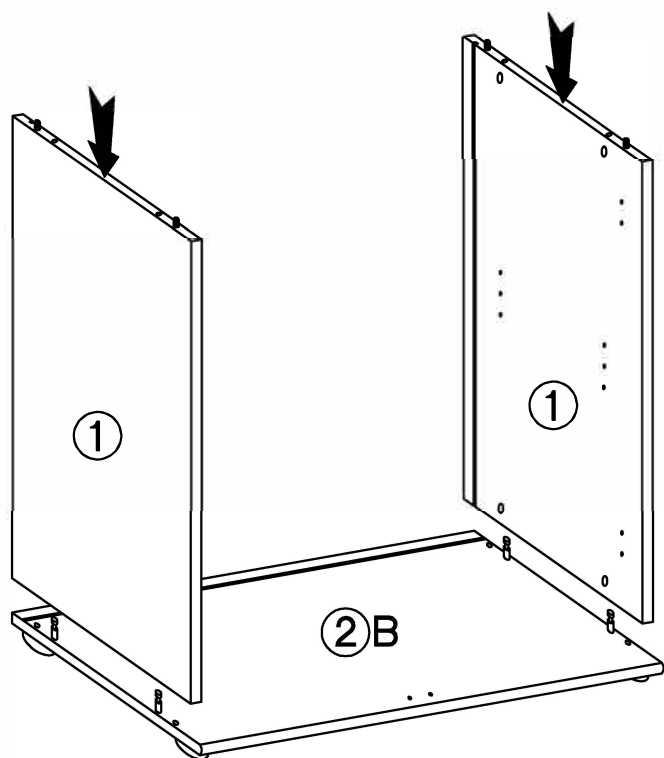


1.

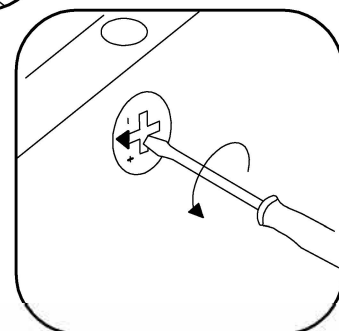
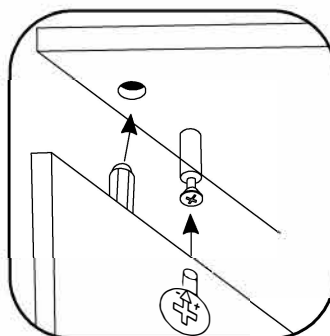
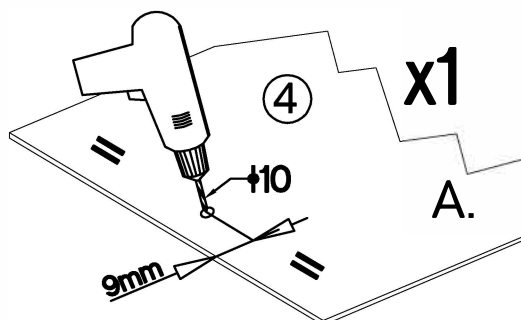
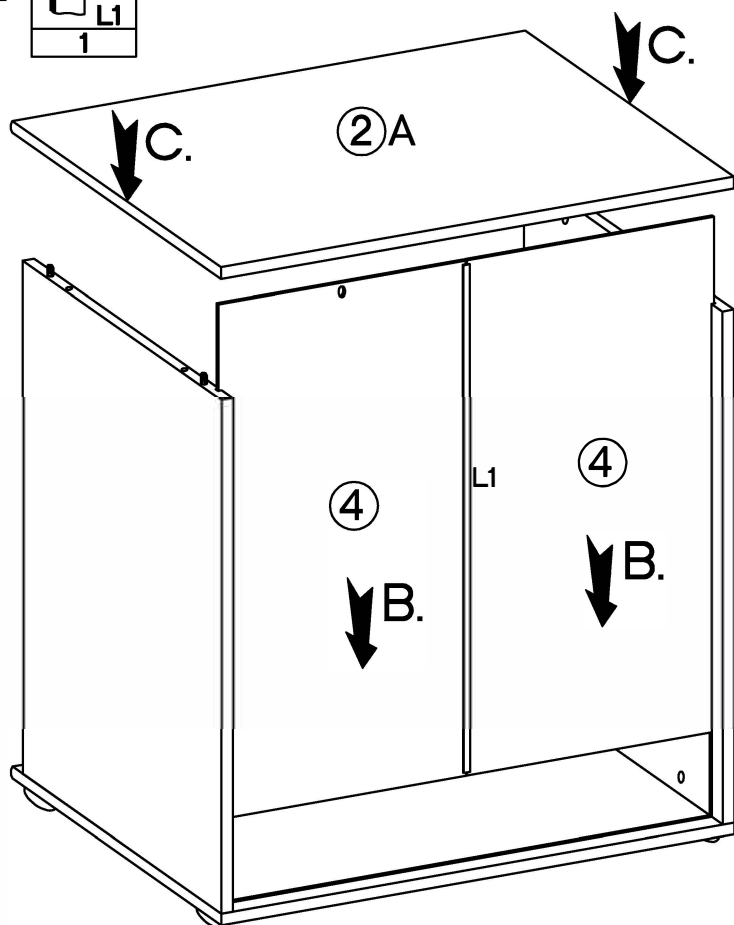
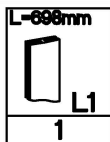
 16x30mm A	 L-20mm D2	 15/12mm C	 4.0x25mm P14		
8	8	8	4	4	4



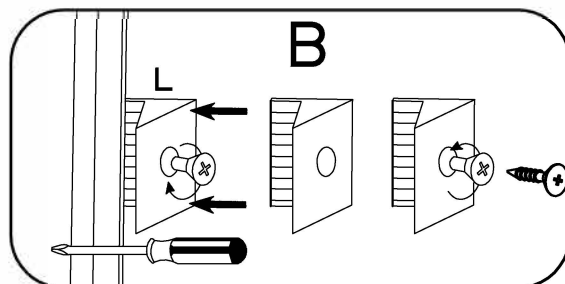
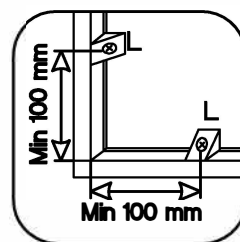
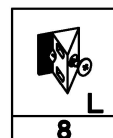
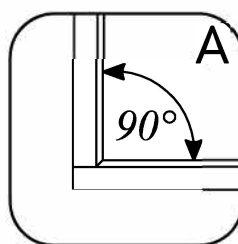
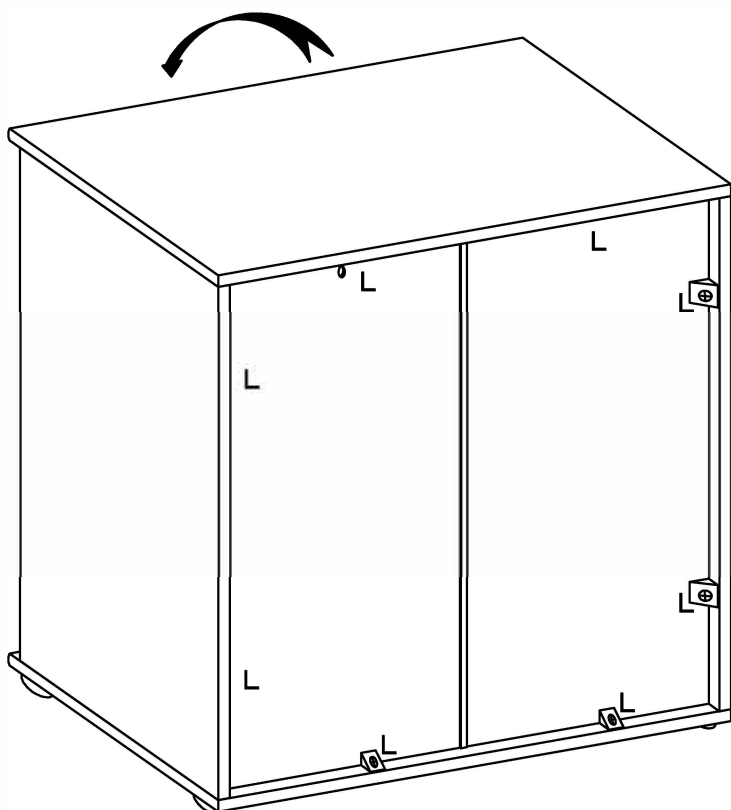
2.



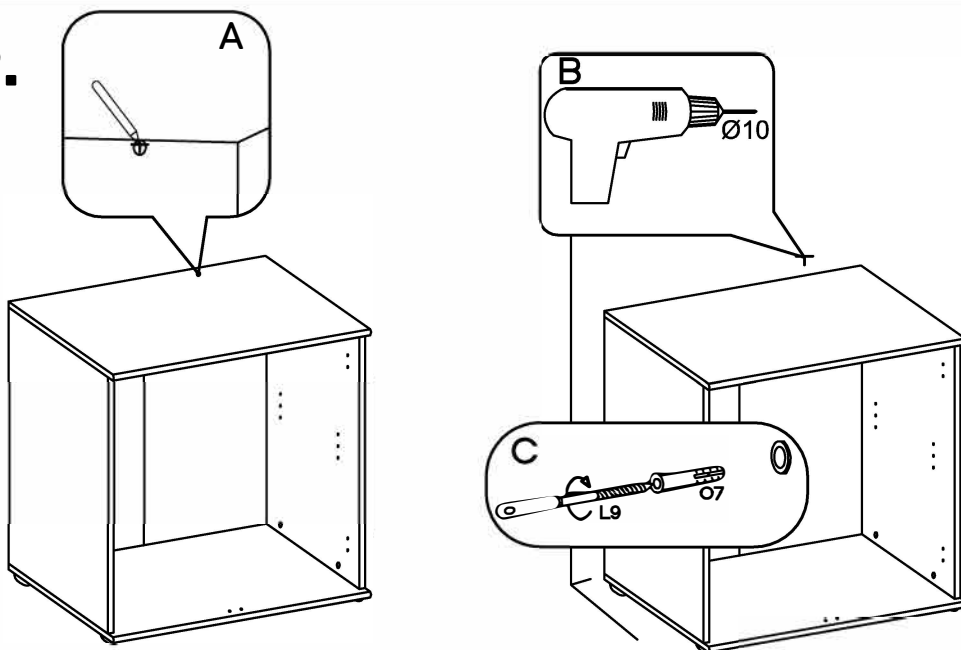
3.



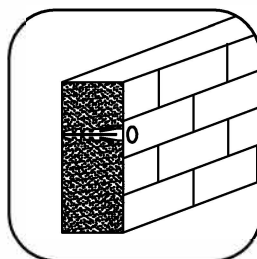
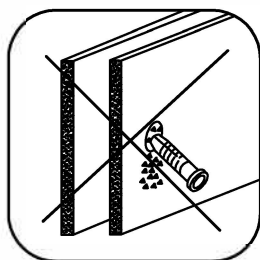
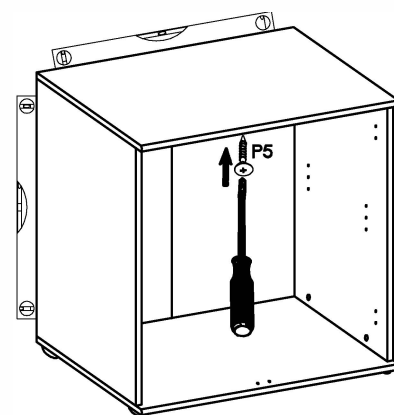
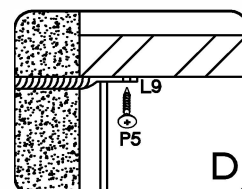
4.



5.

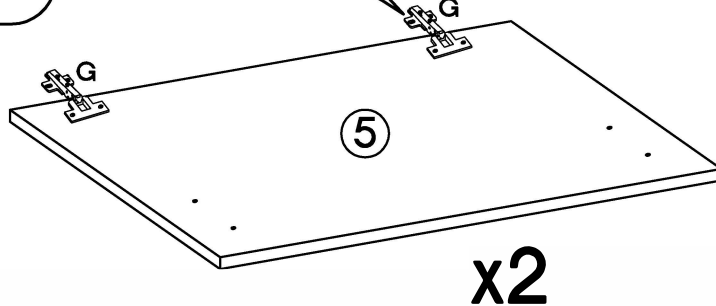
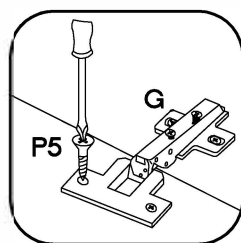
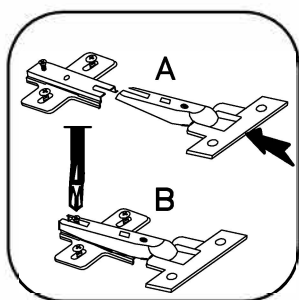


 #10x50mm O7 1	 L9 1	 #3.5x13mm P5 1
-------------------------	-------------	--------------------------







6.

 H 4	 #35/0mm G 4	 #3.5x13mm P5 8
------------	-----------------------	--------------------------



7.

L=64 mm	4.0x30mm		
			
S13	R2	J3	E
2	4	4	8

